



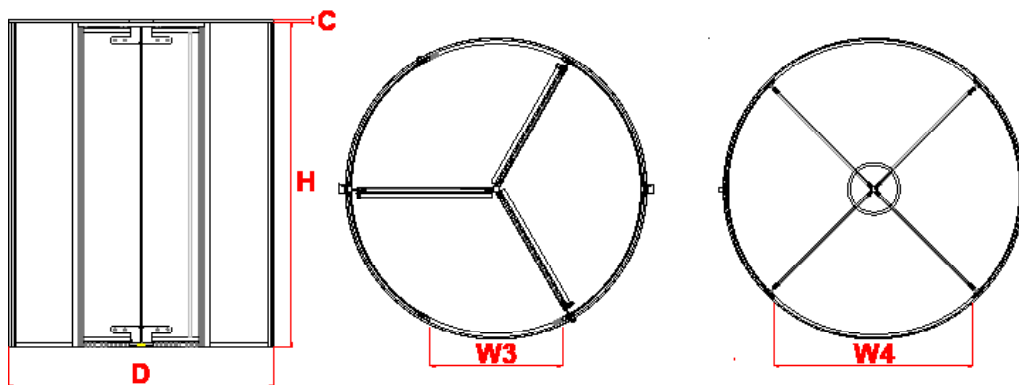
Orbit All Glass revolving door is manufactured using as much glass as possible and only having the slimmest of Stainless Steel profiles.

It is designed to give as much transparency into and out of the building as possible. It will provide you with the insulation and smooth traffic flow of a standard revolving door and creates a more contemporary main entrance feature.

Glazing to the drum walls and the door wings is 8mm clear laminated glass as standard.

If required, 10mm clear laminated glass in the door wings is an option.

All glass edges are covered with the slimmest of stainless steel profiles.



## BODY FINISH

Glass with minimal  
Stainless Steel fixings

## DIMENSIONS

Diameter: 2000mm -  
3000mm

Height: 2100mm -  
2700mm

## NUMBER OF DOOR LEAVES

3 / 4 Wing

## HANDLES

Full height Satin  
Stainless Steel

## OPERATION

Manual / Power Assist /  
Automatic

## FLOOR RING

Satin Stainless Steel

## OPTIONAL ITEMS

Night Sliding Curved Doors

Floor Matting

D	H	C	W/3	W/4
1800mm	2100mm-2800mm	16mm	800mm	1220mm
2000mm	2100mm-2800mm	16mm	920mm	2060mm
2200mm	2100mm-2800mm	16mm	1010mm	2260mm
2400mm	2100mm-2800mm	16mm	1105mm	2460mm
2600mm	2100mm-2800mm	16mm	1195mm	2660mm
2800mm	2100mm-2800mm	16mm	1285mm	2860mm
3000mm	2100mm-2800mm	16mm	1375mm	3060mm
Special Dimensions Available on Request				