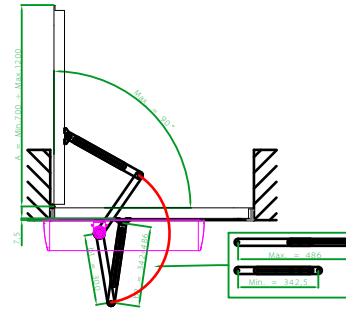


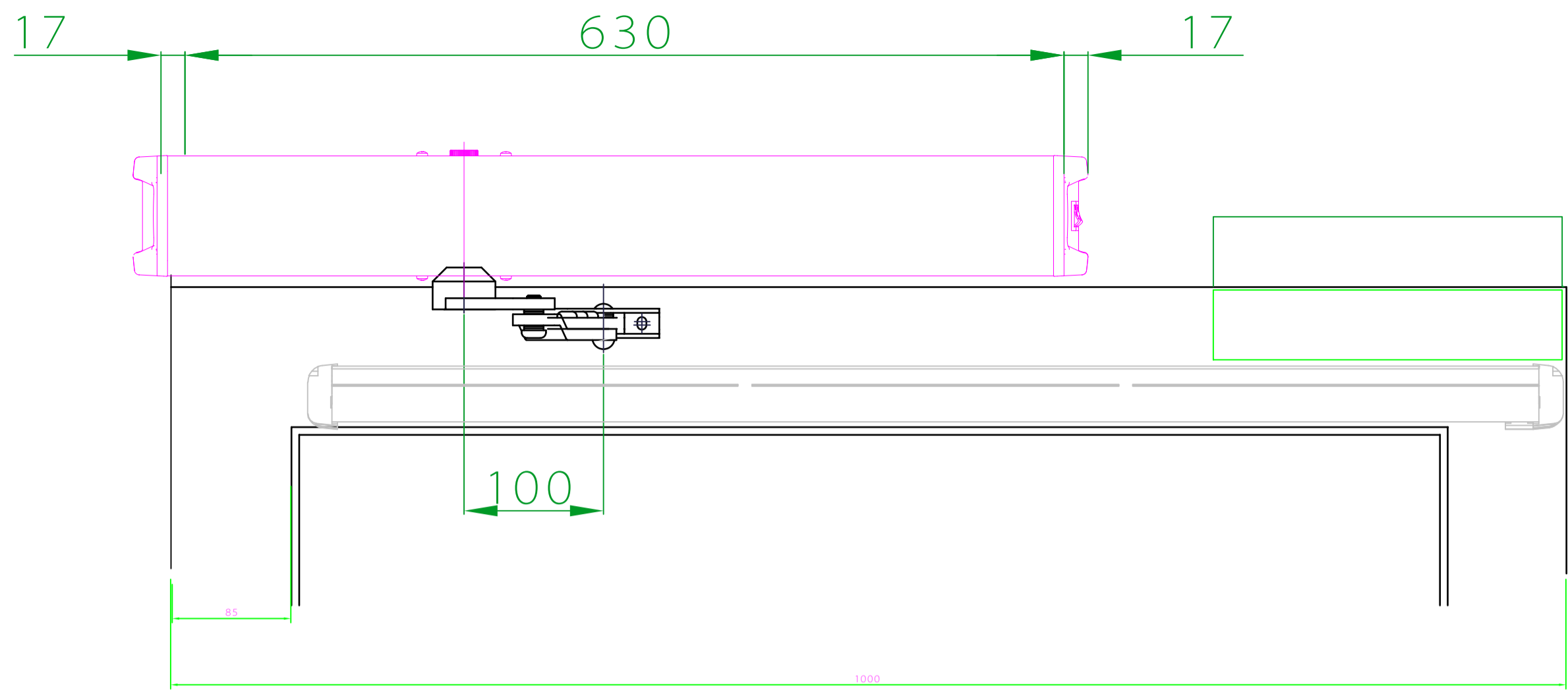
1. 100
 2. 100
 3. 100
 4. 100
 5. 100
 6. 100
 7. 100
 8. 100
 9. 100
 10. 100
 11. 100
 12. 100
 13. 100
 14. 100
 15. 100
 16. 100
 17. 100
 18. 100
 19. 100
 20. 100
 21. 100
 22. 100
 23. 100
 24. 100
 25. 100
 26. 100
 27. 100
 28. 100
 29. 100
 30. 100
 31. 100
 32. 100
 33. 100
 34. 100
 35. 100
 36. 100
 37. 100
 38. 100
 39. 100
 40. 100
 41. 100
 42. 100
 43. 100
 44. 100
 45. 100
 46. 100
 47. 100
 48. 100
 49. 100
 50. 100
 51. 100
 52. 100
 53. 100
 54. 100
 55. 100
 56. 100
 57. 100
 58. 100
 59. 100
 60. 100
 61. 100
 62. 100
 63. 100
 64. 100
 65. 100
 66. 100
 67. 100
 68. 100
 69. 100
 70. 100
 71. 100
 72. 100
 73. 100
 74. 100
 75. 100
 76. 100
 77. 100
 78. 100
 79. 100
 80. 100
 81. 100
 82. 100
 83. 100
 84. 100
 85. 100
 86. 100
 87. 100
 88. 100
 89. 100
 90. 100
 91. 100
 92. 100
 93. 100
 94. 100
 95. 100
 96. 100
 97. 100
 98. 100
 99. 100
 100. 100



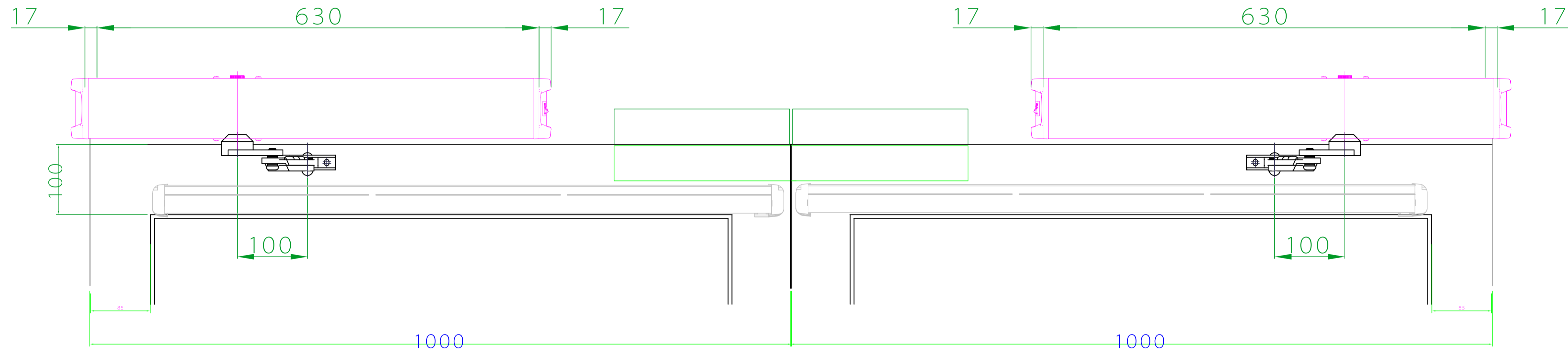
*T- Extensions [mm]	30	50	70	90
Measurement *E* [mm]	8	28	48	68

C C



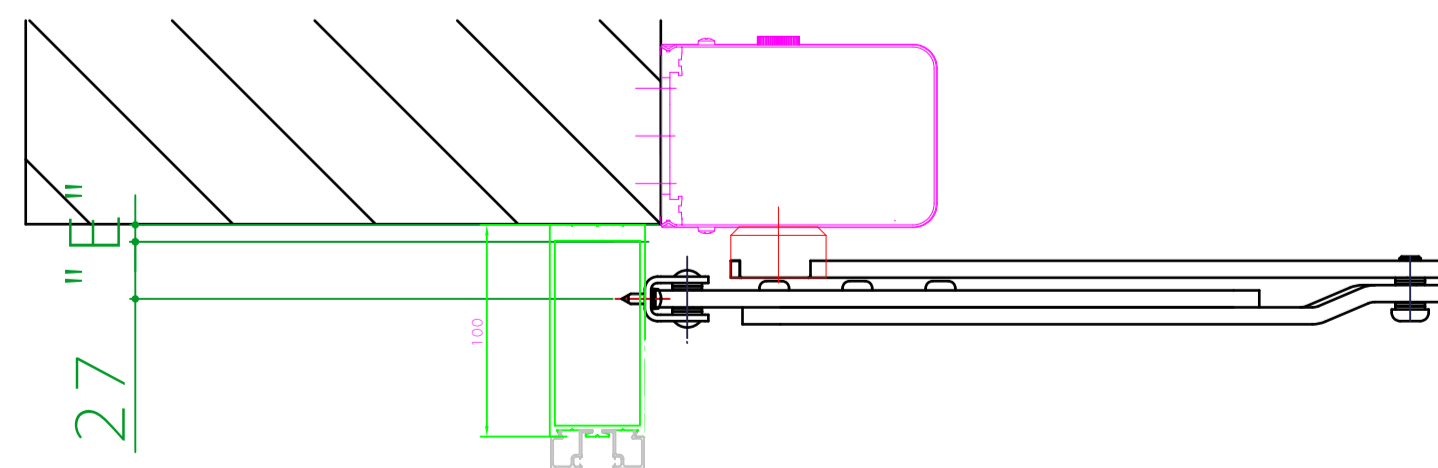


13amp Spur
at the head



Bring wires for
Access control and
Fire alarm to the
head of the door
Normally open volt
free contacts

We will trigger and power the maglocks



SPECIFICATION:

CLIENT NAME & ADDRESS:

PROJECT NAME & ADDRESS:

COLOUR

PROSALE CONTRACT No.

DATE

DRAWING NO.

REVISION

SCALE

DRAWN BY

THIRD ANGLE PROJECTION
DO NOT SCALE
ELEVATION VIEWED FROM OUTSIDE

COPYRIGHT - PROSALE LTD

This drawing shall not be copied, reproduced or forwarded to any third party without permission from the Directors of Prosale Ltd

DRAWING STATUS

FOR INFORMATION ONLY

SIGNED ON BEHALF OF.....

SIGNATURE.....

DATE.....

Prosale Limited
Unit 30Glenmore Centre
Marconi Drive
Quedgeley, Gloucestershire
GL2 2AP.
Tel: 0845 0945 636
Fax: 0845 0945 626
Email: info@prosaledoors.co.uk