



**Site attendances:**  
 13 amp fused spur within a metre of the transom with wireways to the operator.  
 Fire alarm contacts brought to the operator (pair of normally closed volt free contacts)  
 If required Access Control contacts brought to the operator (pair of normally closed volt free contacts)  
 We need to have the area barriered off (barriers by Prosale) whilst working on the door.  
 If barriers are being mounted by us they we need a finished surface outside. If barriers are by others they must be fitted prior to our attendance.

CLIENT NAME & ADDRESS:

PROJECT NAME & ADDRESS:

COLOUR

PROSALE CONTRACT No.	DATE
DRAWING NO.	REVISION
SCALE	DRAWN BY

THIRD ANGLE PROJECTION  
 DO NOT SCALE  
 ELEVATION VIEWED FROM OUTSIDE

**COPYRIGHT - PROSALE LTD**  
 This drawing shall not be copied, reproduced or forwarded to a third party without permission from the Directors of Prosale Ltd

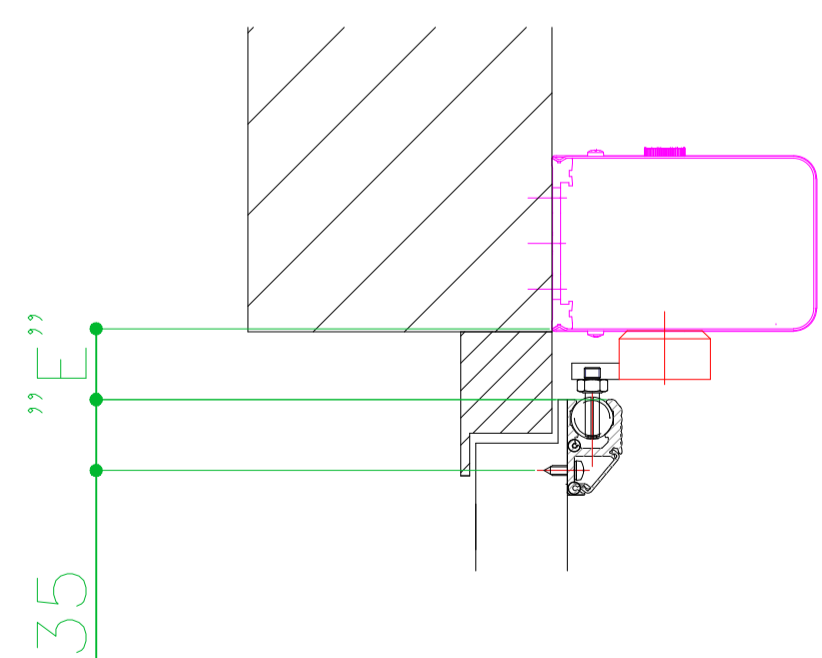
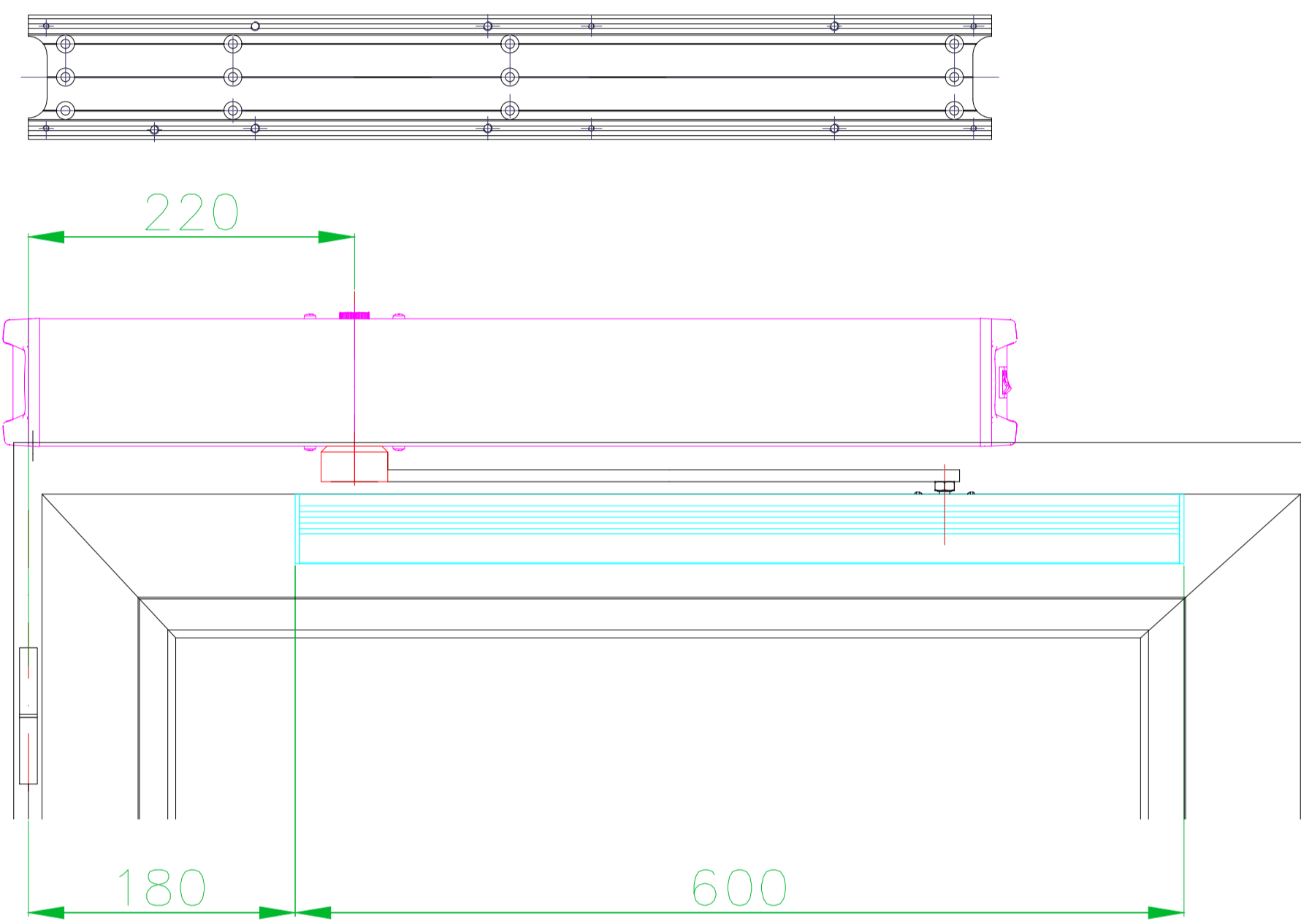
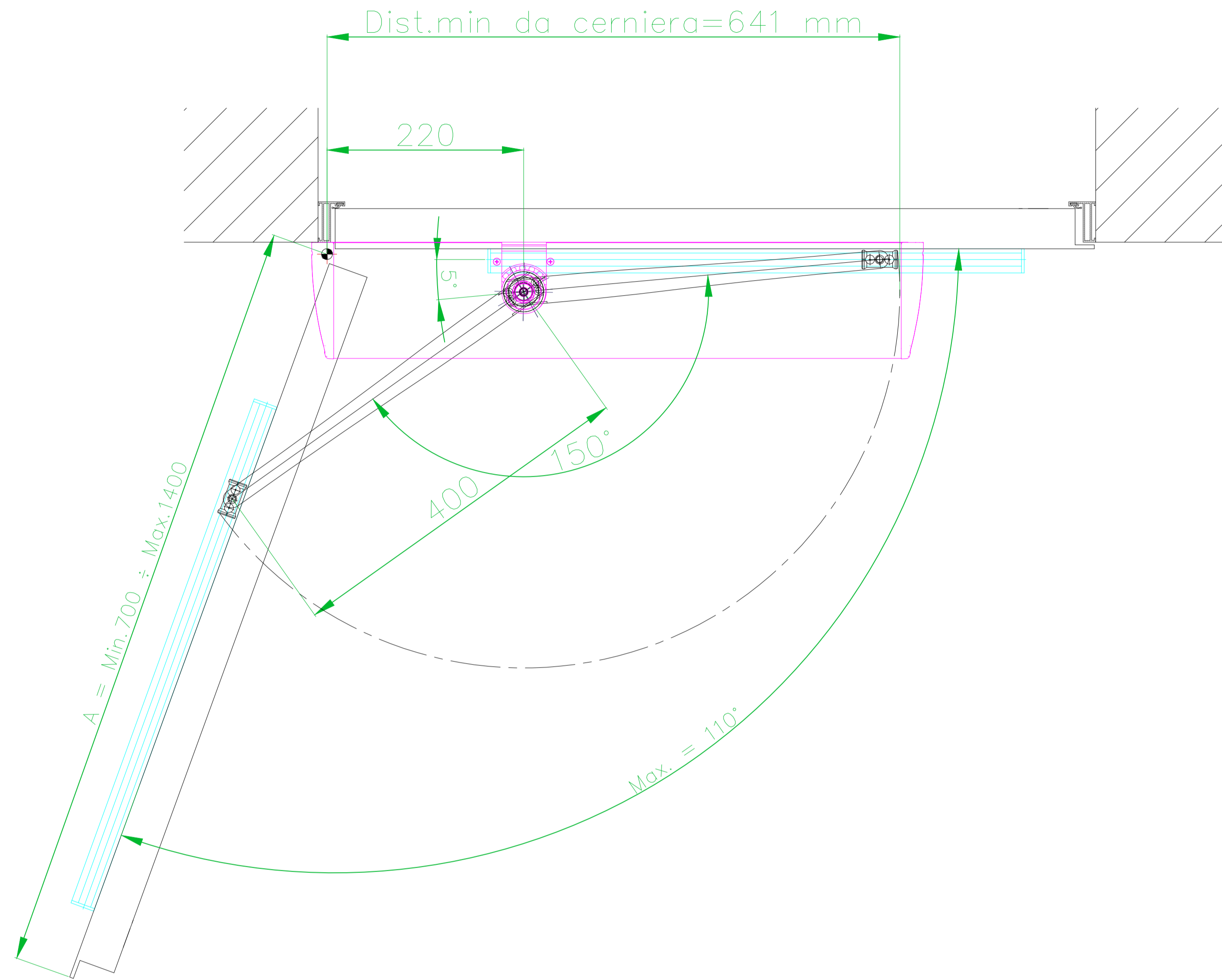
DRAWING STATUS  
 FOR INFORMATION ONLY

SIGNED ON BEHALF OF.....

SIGNATURE.....

DATE.....

Prosale Limited  
 Unit 30Glenmore Centre  
 Marconi Drive  
 Quedgeley, Gloucestershire  
 GL2 2AP.  
 Tel: 0845 0945 636  
 Fax: 0845 0945 626  
 Email: info@prosaledoors.co



LUNGHEZZA ATTACCHI BRACCIO [mm]	30	50	70	90
QUOTA "E" [mm]	35	55	75	95