

AUTOMATIC SWING DOOR OPERATOR



PROSWING, automation, for continuous and intensive service, power combined with compact design. Suitable to operate heavy and large doors, easy installation and operating.

- Heavy Duty
- “Low Energy” mode.
- Reduced speed and acceleration for environments used by people with limited and slow reaction capabilities, according to specific regulations and directives
- PUSH & GO mode
- Optional opening with remote control
- Compatible with different opening, safety and security devices
- Head fitted Switch, ON/OFF
- Head fitted Logic switch, Standard 3 Position

- Easy and intuitive parameters adjustment with double display on control board
- Works with different models of electric lock/magnet
- Cover in anodised aluminium, available on request RAL finishing
- Synchronised double door operators
- Option connection to BMS (Building Management System)
- High torque value
- Force adjustments for opening and closing in different environmental condition, wind or pressurised rooms
- Configuration on control board for 2 input 2 output auxiliary signals

Development, testing and production of **PROSWING**, as for all SESAMO products, according international standards ISO 9001.



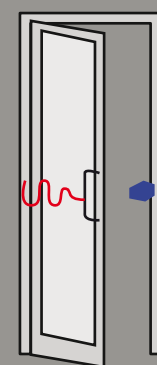
PROSWING

AUTOMATIC SWING DOOR OPERATOR



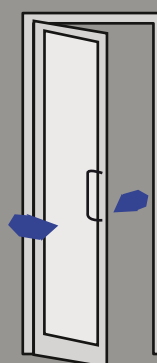
Prosale Limited
 Unit 30 The Glenmore Centre
 Marconi Drive
 Waterwells Business Park
 Quedgley, Glos.
 GL2 2AP
 Tel: 0845 0945 636
www.prosaledoors.co.uk

PRODUCT RANGE



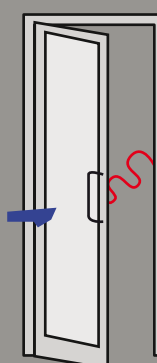
PROSWING S

Opened by motor, closing by spring
 Universal, mostly when the door has to close in case of power failure. In this case, the automation works as a spring.



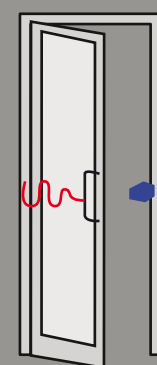
PROSWING M

Opened and closing by motor.
 For any kind of entrance, powerful and flexible, power batterie kits as an option.



PROSWING R

Opening by spring, closing by motor.
 Inverse, it opens without power supply by spring, for ventilation and smoke clearance. This model can be used also in emergency exits.



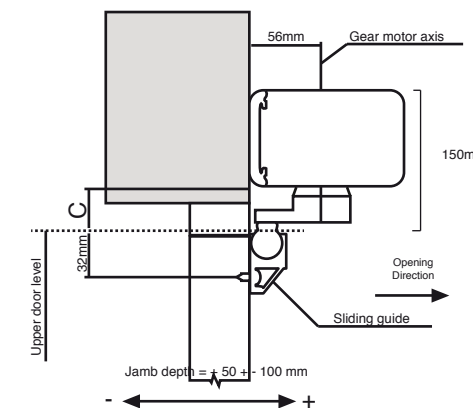
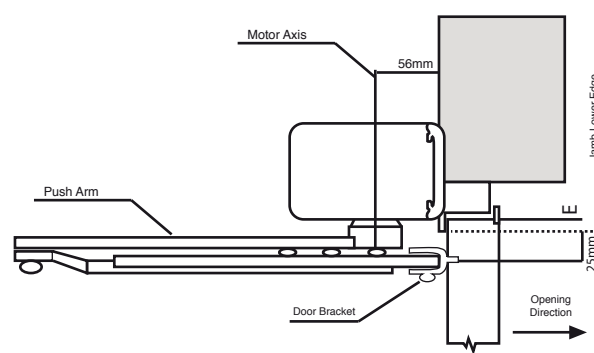
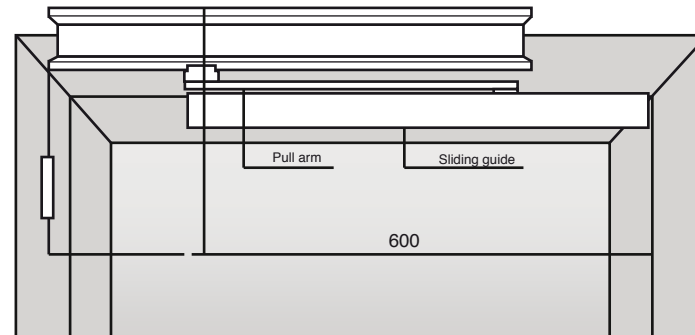
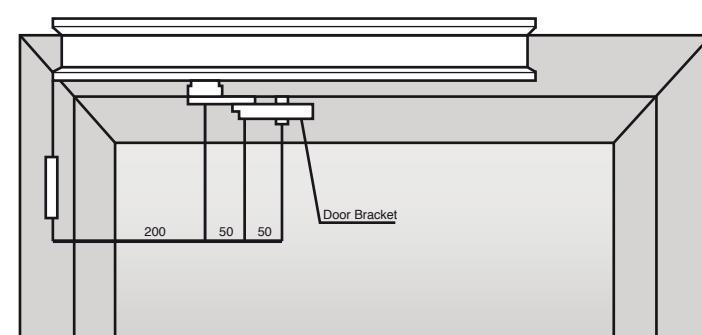
PROSWING F

Automation with integrated system that closes in case of fire/smoke alarm.
 Anywhere an automatic barrier for fire and smoke is required, for country specific directives and regulations must be followed.



TECHNICAL SPECIFICATIONS

POWER SUPPLY	230 VAC - 50HZ	MAX PAYLOAD	250 Kg (see chart above)
NOMINAL POWER	85W	WING DIMENSIONS	700mm to 1400mm
POWER EXTERNAL DEVICES	12VDC - 12W Max.	OPERATING TEMPERATURE	-10°c a +50°c
EMERGENCY BATTERIES	2x12V 1.3Ah (Optional only for PROSWING M)	WEIGHT	12kg
PARAMETERS ADJUSTMENT	With double display with push buttons on control board, Dip-Switches or PC interface	DIMENSIONS	664 x 130 x 86mm
OPENING MAX. ANGLE	110°	SERVICE	Continuous
		ELECTRIC LOCK POWERS	12/24 Vdc - 15W max
		SPRING TENSION	EN4-EN6
		ARM SYSTEM	• Articulated Push Arm • Rigid Pull Arm



Arm extensions	Value E
L = 30 mm (standard)	8
L = 50 mm	28
L = 70 mm	48
L = 90 mm	68

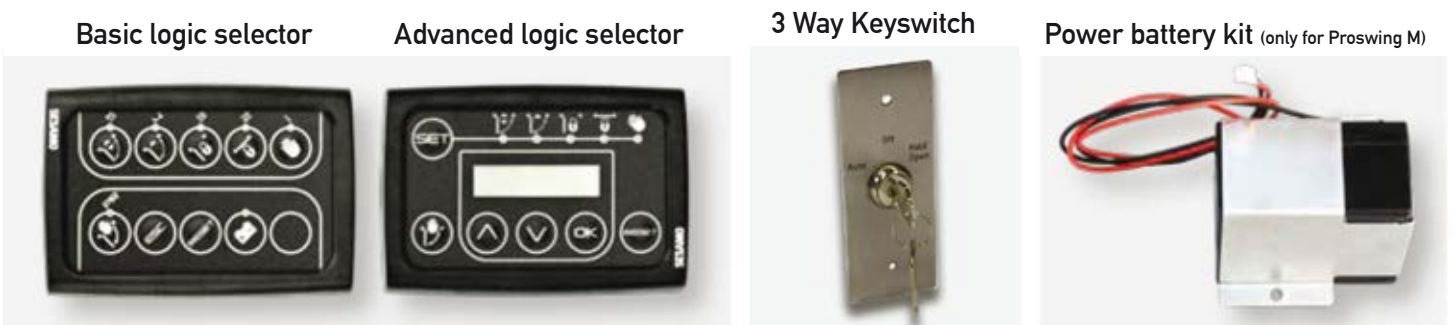
Arm extensions	Value C
L = 30 mm (standard)	35
L = 50 mm	52
L = 70 mm	75
L = 90 mm	95

ACCESSORIES

MOVEMENT ARMS



COMPLEMENTARY ACCESSORIES



TRIGGER DEVICES AND SAFETY

